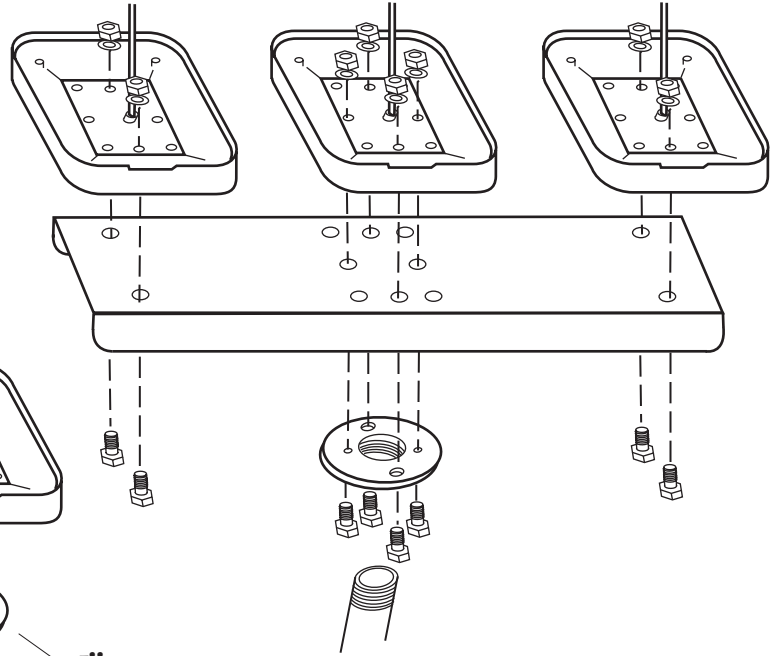
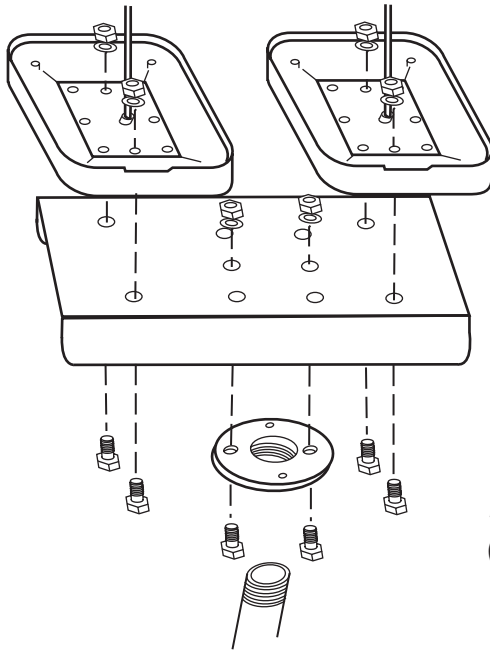


**Double Bracket
Shown with
Titan Stand
ST1002
(sold separately)**

Titan Stand ST1000C

**Triple Bracket
Shown with
Titan Stand
ST1003
(sold separately)**



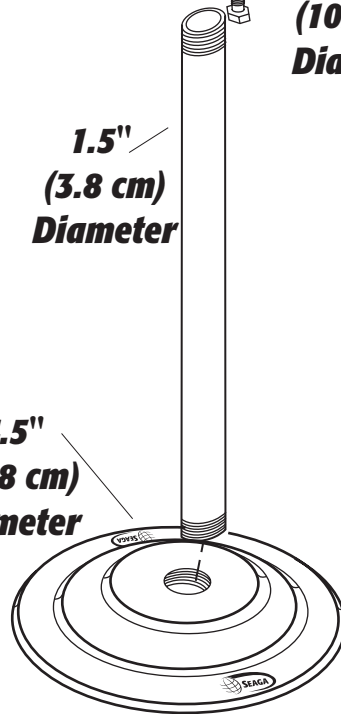
**Single
Bulk Base
(no bracket
required)**

**4"
(10.2 cm)
Diameter**

**1.5"
(3.8 cm)
Diameter**

**Universal mounting
for all
Industry Standard
Bulk Equipment**

**14.5"
(36.8 cm)
Diameter**



**See reverse side
for Hercules Stand
instructions**



Seaga Manufacturing, Inc. 700 Seaga Drive Freeport, IL 61032 USA
sales@seagamfg.com parts@seagamfg.com
815.297.9500 www.seagamfg.com

Indoor installation only. Specifications subject to change without notice.